

MSD IGNITION® INSTALLATION INSTRUCTIONS

Pickup Harness Set, HVC Pro-Billet Distributor PN 8857

Parts Included:
2 - Extension Harnesses

The PN 8857 Harness Kit is for use with MSD HVC Pro-Billet Distributors.

2-PIN CONNECTORS		
MALE CONNECTOR		
BLACK	Pin 1	Connect to a common ground.
RED	Pin 2	12-volt input. Connect to switched 12 volts.
FEMALE CONNECTOR		
BROWN	Pin 1	Shielded Ground. Connect to Ground.
WHITE	Pin 2	Trigger Wire. Connect to the points input (White) wire of the MSD Ignition Control.

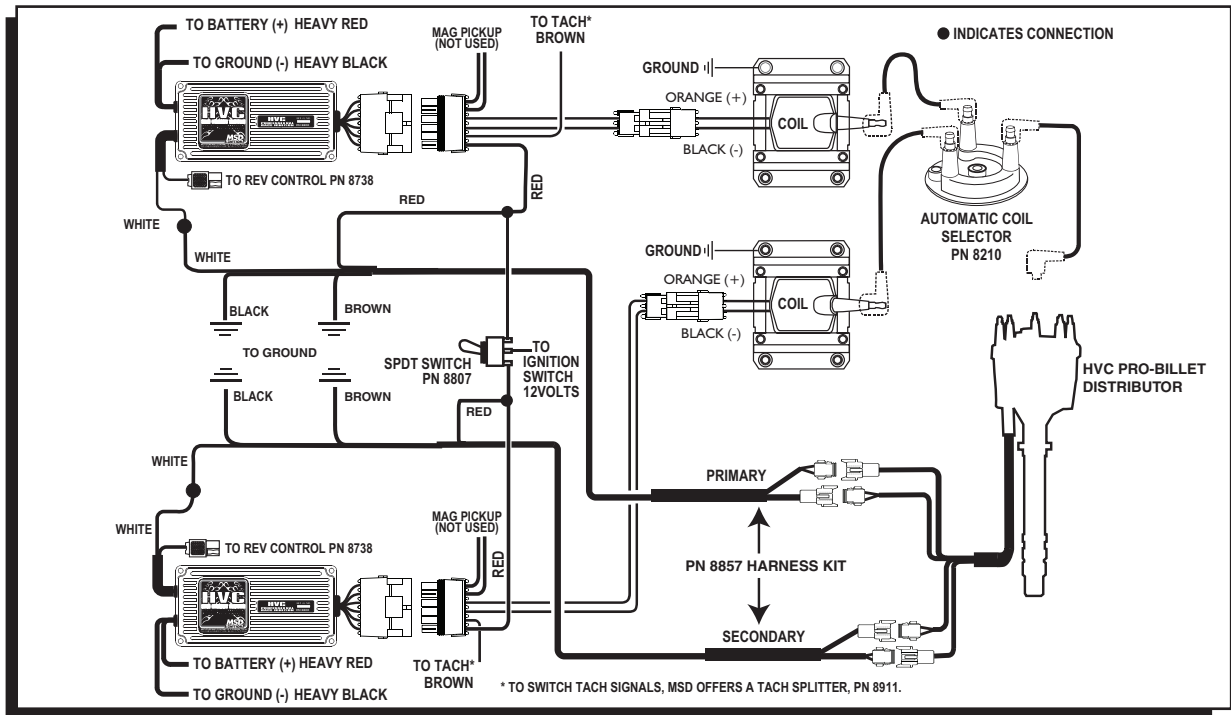


Figure 1 Wiring a Complete Redundant System.