



INSTALLATION INSTRUCTIONS

MSD Rotor, PN 84673 Replacement Rotor for PN 8351, PN 8353 and PN 84891 Distributors

Parts Included:

- | | |
|-------------------------------|------------------------|
| 1 – Rotor, PN 84673 | 2 – Belleville Washers |
| 2 – 5/8" Phillips Head Screws | |

WARNING: Disconnect the battery during installation. When disconnecting the battery, always remove the negative cable first and install it last.

Mark the location of the plug wires before removing them from the cap. Remove the cap and rotor. Install the new rotor being sure the round and square aligning pegs are lined up correctly on the advance plate. Install the Belleville washers with the **dome facing up** on the screws and tighten the rotor (Figure 1). Install the cap and plug wires.

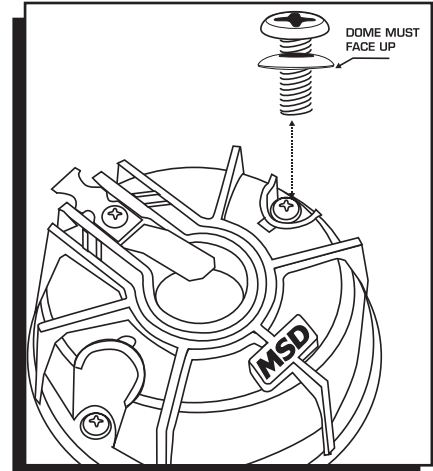


Figure 1 Washer Installation.

MSD IGNITION • 1490 HENRY BRENNAN DR., EL PASO, TEXAS 79936 • (915) 857-5200 • FAX (915) 857-3344

© 2006 Autotronic Controls Corporation

FRM27525

Created 02/06

Printed In U.S.A.



INSTALLATION INSTRUCTIONS

MSD Rotor, PN 84673 Replacement Rotor for PN 8351, PN 8353 and PN 84891 Distributors

Parts Included:

- | | |
|-------------------------------|------------------------|
| 1 – Rotor, PN 84673 | 2 – Belleville Washers |
| 2 – 5/8" Phillips Head Screws | |

WARNING: Disconnect the battery during installation. When disconnecting the battery, always remove the negative cable first and install it last.

Mark the location of the plug wires before removing them from the cap. Remove the cap and rotor. Install the new rotor being sure the round and square aligning pegs are lined up correctly on the advance plate. Install the Belleville washers with the **dome facing up** on the screws and tighten the rotor (Figure 1). Install the cap and plug wires.

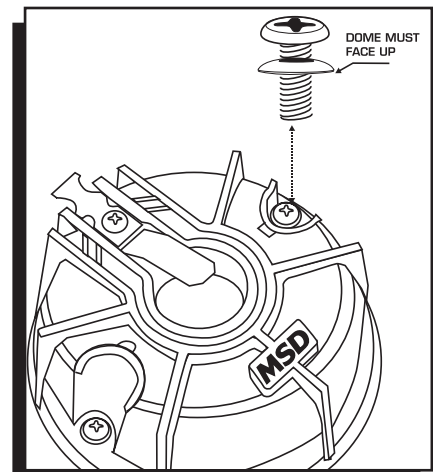


Figure 1 Washer Installation.

MSD IGNITION • 1490 HENRY BRENNAN DR., EL PASO, TEXAS 79936 • (915) 857-5200 • FAX (915) 857-3344

© 2006 Autotronic Controls Corporation

FRM27525

Created 02/06

Printed In U.S.A.