

Flying Magnet Crank Trigger Kit Ford Small Block Engines: 289, 302 PN 8640

Important: Read the instructions before attempting the installation.

Parts Included

1 - Trigger Wheel	2 - Bolts, 5/16" - 24 x 1 1/4"
1 - Pickup Holder Assembly	2 - Bolts, 5/16"- 18 x 3"
1 - Trigger Wheel Spacer	2 - 5/16" Washers
1 - Non Magnetic Pickup Assembly	3 - Bolts, 3/8"- 16 x 1 1/4"
1 - Pickup Base	3 - 3/8" Washers
1 - Locknut	2 - Thin Spacer Washers
3 - Spacers	Tech Bulletin #104
General Wiring Instructions	

Note: On some vehicles the MSD Crank Trigger Kit may require slight modifications to accomodate special engine plates, pulley systems, etc.

INSTALLING THE PICKUP AND BRACKET

1. Mount the pickup holder onto the bracket using the two fine thread bolts (Figure 1). The pickup base will only install one way, do not try to force the bolts in, and hand tighten the bolts.

2. Install the bracket onto the passenger side of the engine. Be sure to use the correct length bolts and shims in the proper location.

3. Install the pickup and locknut into the holder. Do not tighten the locknut at this time.

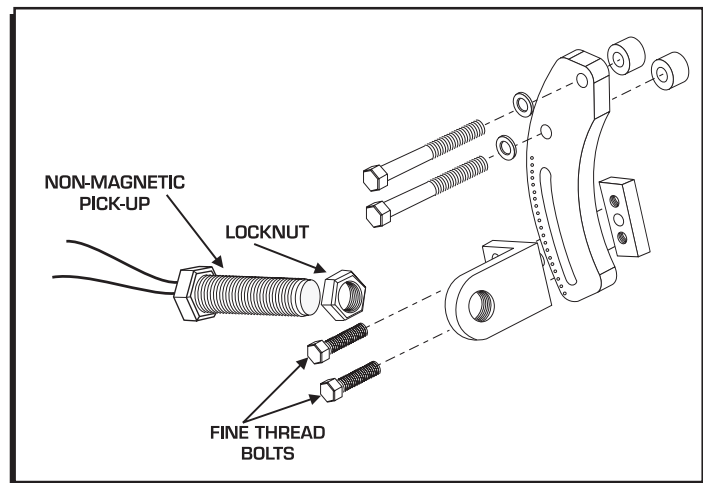


Figure 1 Pickup Bracket Assembly.

INSTALLING THE TRIGGER WHEEL

1. Position the No. 1 cylinder under compression at the desired total timing. Install the trigger wheel centering ring onto the harmonic balancer of the engine.

2. Position the trigger wheel onto the harmonic balancer and centering ring so one of the four magnets lines up with the center of the non-magnetic pickup. Make sure the wheel is mounted so it rotates in the direction of the arrow on the wheel. If necessary, slide the pickup in its mount until it properly lines up with the trigger wheel magnet.

3. Check and make sure the wheel is positioned correctly with the pickup and torque the trigger wheel bolts to 25 - 30 lb-ft. The pickup should be centered to the edge of the trigger wheel (Figure 2). If not, it may be necessary to add or delete shims to the pickup bracket to achieve the proper position.

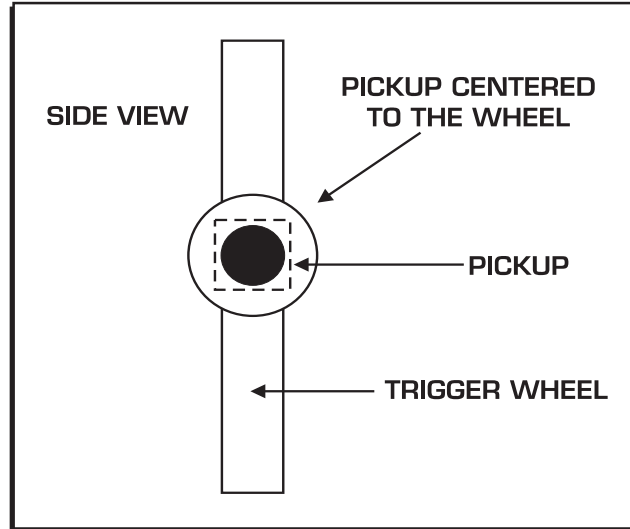


Figure 2 Pickup Centered on the Trigger Wheel.

Service

In case of malfunction, this MSD component will be repaired free of charge according to the terms of the warranty. When returning MSD components for service, Proof of Purchase must be supplied for warranty verification. After the warranty period has expired, repair service is charged based on a minimum and maximum charge.

Send the unit prepaid with proof of purchase to the attention of: **Customer Service Department, Autotronic Controls Corporation, 1490 Henry Brennan Drive, El Paso, Texas 79936.**

When returning the unit for repair, leave all wires at the length in which you have them installed. Cutting wires close to the unit will void your warranty. Be sure to include a detailed account of any problems experienced, and what components and accessories are installed on the vehicle.

The repaired unit will be returned as soon as possible after receipt, COD for any charges. For more information, call the MSD Customer Service Line (915) 855-7123. MSD technicians are available from 8:00 a.m. to 5:00 p.m. Monday - Friday (mountain time).

Limited Warranty

Autotronic Controls Corporation warrants MSD Ignition products to be free from defects in material and workmanship under normal use and if properly installed for a period of one year from date of purchase. If found to be defective as mentioned above, it will be replaced or repaired if returned prepaid along with proof of date of purchase. This shall constitute the sole remedy of the purchaser and the sole liability of Autotronic Controls Corporation. To the extent permitted by law, the foregoing is exclusive and in lieu of all other warranties or representations whether expressed or implied, including any implied warranty of merchantability or fitness. In no event shall Autotronic Controls Corporation be liable for special or consequential damages.