

MSD **IGNITION** **INSTALLATION INSTRUCTIONS**

MSD Blaster GM Dual Tower Coil Pack PN 8224

IMPORTANT: Read Instructions before attempting the installation.

Parts Included:

1 - Blaster GM Dual Tower Coil Pack

WARNING: During installation, disconnect the battery cables. When disconnecting the battery, always remove the Negative cable first and install it last.

This MSD GM Dual Tower Coil is designed as a replacement coil and produces a high voltage spark. To get even more ignition performance, install an MSD DIS Series Ignition Control. To ease installation of a DIS Ignition use MSD's Coil Interface Modules, PN 8870 (See Figure 2).

1. Remove the coil wires and the two retaining screws.
2. Remove the factory coil.
3. Position the new MSD GM Dual Tower Coil to the module making sure the terminals are aligned.
4. Install the hold-down screws and plug wires.

WARNING: High Voltage is present on the coil terminals. DO NOT touch the coil terminals or tower when the engine is cranking or running.

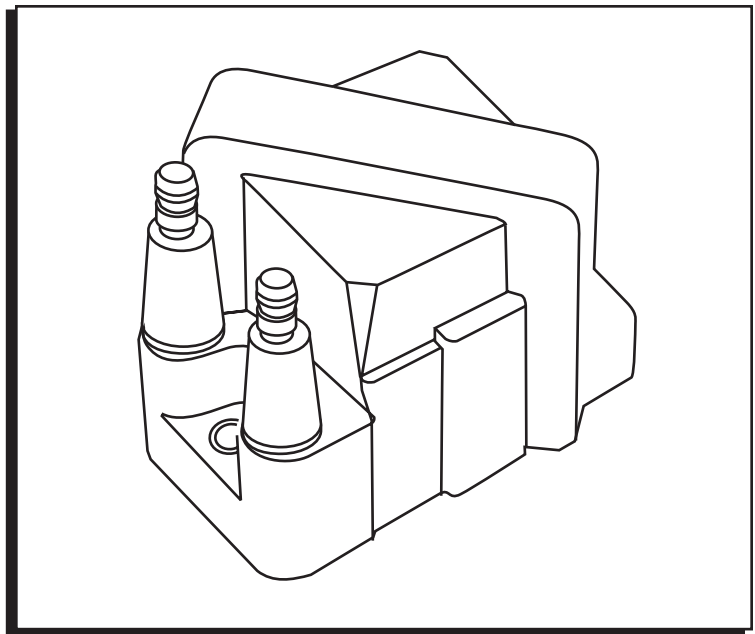


Figure 1 The MSD GM Dual Tower Coil Pack.

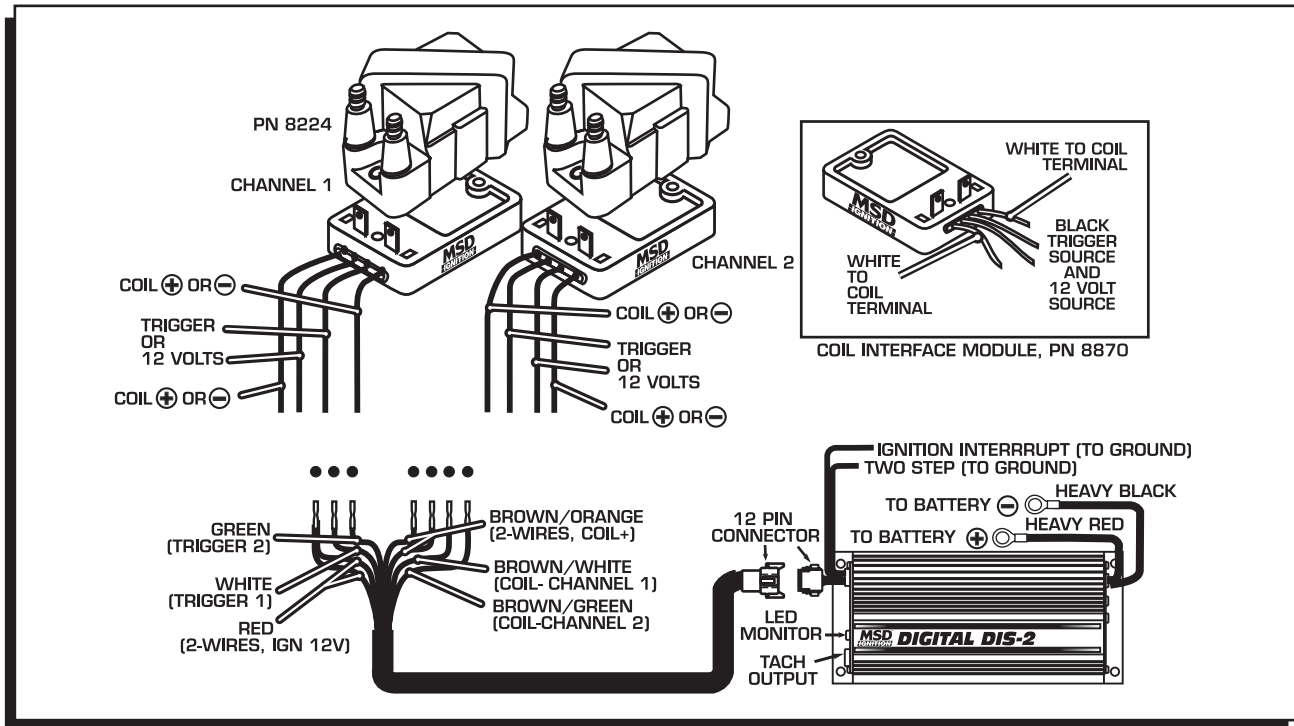


Figure 2 Complete Installation with an MSD DIS-2 Ignition.

Service

In case of malfunction, this MSD component will be repaired free of charge according to the terms of the warranty. When returning MSD components for warranty service, **Proof of Purchase** must be supplied for verification. After the warranty period has expired, repair service is based on a minimum and maximum fee.

All returns must have a Return Material Authorization (RMA) number issued to them before being returned. To obtain an RMA number please contact MSD Customer Service at 1 (888) MSD-7859 or visit our website at www.msdisignition.com/rma to automatically obtain a number and shipping information.

When returning the unit for repair, leave all wires at the length in which you have them installed. Be sure to include a detailed account of any problems experienced, and what components and accessories are installed on the vehicle. The repaired unit will be returned as soon as possible using Ground shipping methods (ground shipping is covered by warranty). For more information, call MSD Ignition at (915) 855-7123. MSD technicians are available from 7:00 a.m. to 6:00 p.m. Monday - Friday (mountain time).

Limited Warranty

MSD IGNITION warrants this product to be free from defects in material and workmanship under its intended normal use*, when properly installed and purchased from an authorized MSD dealer, for a period of one year from the date of the original purchase. This warranty is void for any products purchased through auction websites. If found to be defective as mentioned above, it will be repaired or replaced at the option of MSD Ignition. Any item that is covered under this warranty will be returned free of charge using Ground shipping methods.

This shall constitute the sole remedy of the purchaser and the sole liability of MSD Ignition. To the extent permitted by law, the foregoing is exclusive and in lieu of all other warranties or representation whether expressed or implied, including any implied warranty of merchantability or fitness. In no event shall MSD Ignition or its suppliers be liable for special or consequential damages.

*Intended normal use means that this item is being used as was originally intended and for the original application as sold by MSD Ignition. Any modifications to this item or if it is used on an application other than what MSD Ignition markets the product, the warranty will be void. It is the sole responsibility of the customer to determine that this item will work for the application they are intending. MSD Ignition will accept no liability for custom applications.