

MSD **IGNITION** **INSTALLATION INSTRUCTIONS**

MSD Billet Pro Power Coil Mount PN 8218

It is important to read these instructions before attempting the installation. Check the parts list to make sure you have all of the recommended parts. The Billet Pro Power Coil Mount is designed for the MSD Pro Power Coil and mounts on big block Chevrolet heads with factory mounting holes only. The rubber mounts that came with the Pro Power Coil are required to use the Billet Mount.

Parts Included In This Kit

- 1 - Billet Pro Power Coil Mount (PN 8218)
- 3 - 0.498 x 0.175 x 0.125 Flat Washers

MOUNTING THE COIL AND BRACKET

Note: The MSD Pro Power Coil must be mounted with the coil tower facing up (Figure 1).

1. Remove the rubber shock mounts from the Pro Power Coil.
2. Install the rubber shock mounts with the supplied flat washers into the Billet Mount (Figure 2).
3. Place the Pro Power Coil over the three rubber mounts and install the lock washers and nuts (Figure 2).
4. Install the Billet Mount to the cylinder head.

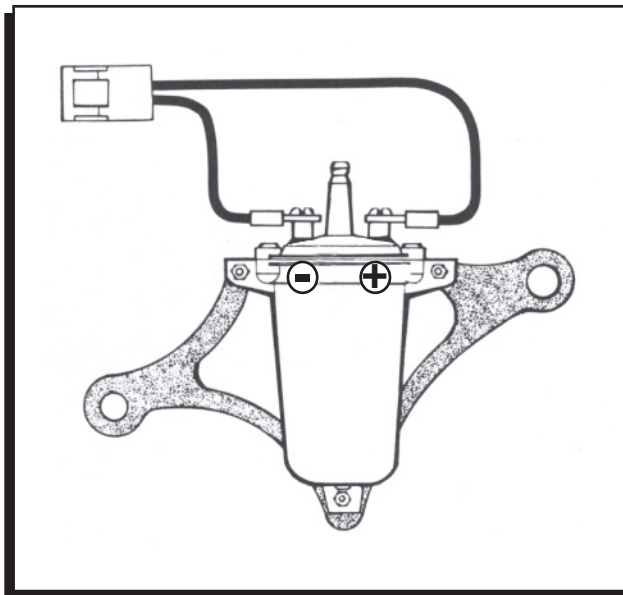


Figure 1 Positioning the Coil

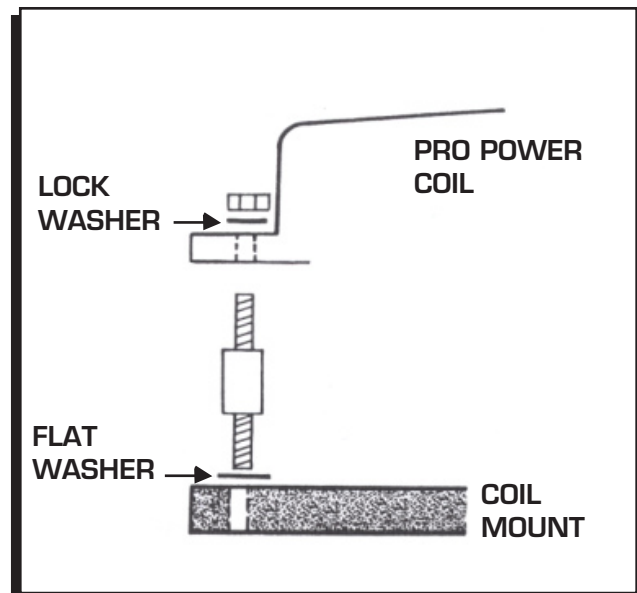


Figure 2 Mounting the Coil and Bracket

