

# MSD<sup>®</sup> IGNITION INSTALLATION INSTRUCTIONS

## MSD Wiring Harness to a Jeep Coil Pack PN 8813

This wiring kit provides a splice-free installation to a Jeep Coil. This also provides a way to easily return to the stock ignition if ever desired.

### Parts Included:

4 - Jumpers with Bullet and Faston Connectors	4 - Washers
2 - Jumpers with Bullet Connectors	4 - Nuts
2 - 1" Screws	2 - 1/2" Spacers
2 - 1.5" Screws	

**WARNING:** During installation, disconnect the battery cables. When disconnecting the battery, always remove the Negative cable first and install it last.

1. Locate the Coil/Ignition Module assembly. Disconnect the wires, and remove the assembly. Unbolt and remove the coil (Figure 1).
2. Using an 11/64" bit, drill a hole in the ignition module to mount a screw in. The module has one hole already drilled and placement of the hole you need to drill is easily identified (Figure 2).

**Note:** Use care not to damage the electrical pins when drilling.

3. Install the two 1" screws and washers into the Module housing as shown in Figure 2.

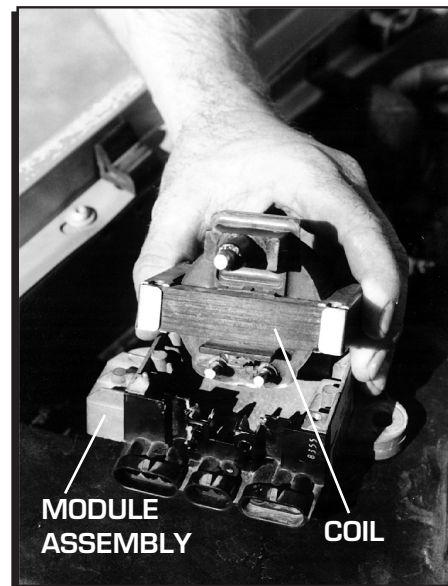


Figure 1 Removing the Coil.

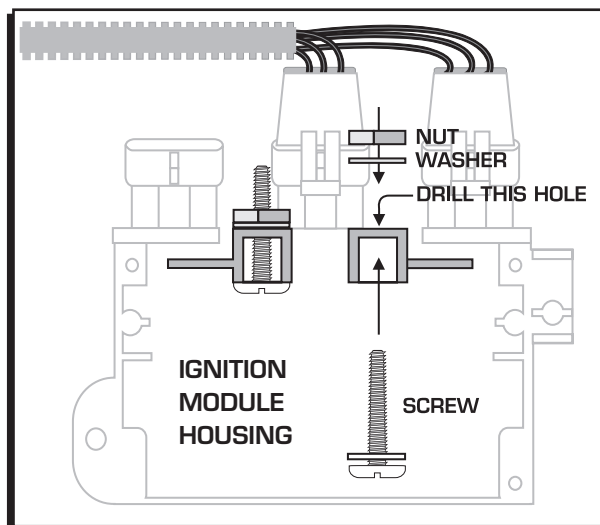


Figure 2 Installing the Screw/Connectors.

# MSD IGNITION INSTALLATION INSTRUCTIONS

4. Install the supplied jumpers to the corresponding colored wires of the MSD. Route the wires to the coil making sure they are kept away from heat sources and sharp edges.
5. Connect the Red and White MSD wires to the screw terminals you installed in the module housing (Figure 3).
6. Connect the Orange and Black MSD wires to the coil (Figure 3). Orange connects to the positive terminal, Black to the negative terminal.
7. Using the supplied spacers and screws, install the coil to the housing as shown in (Figure 4). Make sure that the coil connectors do not make contact.
8. Install the coil wire and connect the battery.

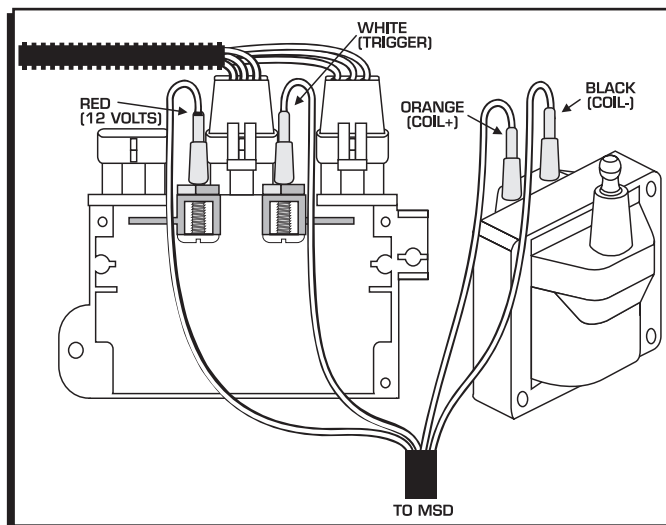


Figure 3 Connecting the MSD Wires.

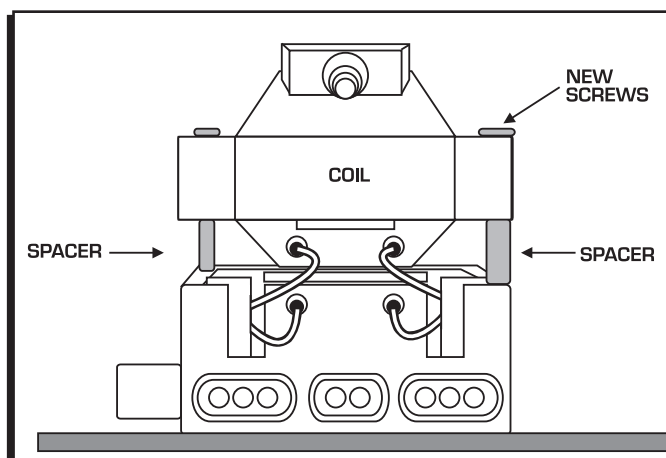


Figure 4 Installing the Coil to the Module Assembly.

## RETURNING TO STOCK

If you ever want to return to the stock ignition, use the supplied Violet jumper wires. Disconnect the MSD wires, then jump coil terminals to the screw connectors you installed in the module assembly (Figure 5).

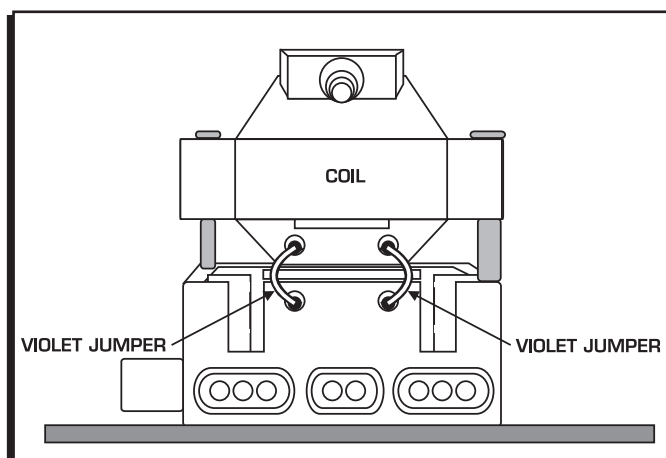


Figure 5 Returning to the Stock Ignition.