



# ADDENDUM

## MSD Programmer/Monitor for Dyno Tuning, PN 7553

The PN 7553 Monitor shares the same functions as the PN 7550, but has two control dials that provide instant editing of the timing functions for easy dyno testing (instead of the Launch and Rev Limit buttons). This Addendum covers the features of the PN 7553 Programmer/Monitor.

This Programmer/Monitor can be used with MSD's line of Programmable Digital Ignitions and Controls including Part Numbers; 6212, 6562, 6563, 7530, 8977, 8979. (The timing dials will not control the timing of the PN 6214, Midget Ignition System but will support these functions with its programming buttons.)

The PN 7553 has two control dials that provide instant editing of the cylinder-to-cylinder timing, step retards and the start retard values in 0.1° increments. The dial on the left controls the timing changes. The dial on the right controls which program you choose to adjust ranging from the Start Retard, three Step Retards or the Individual Cylinders.

The chart shows the Monitor functions when it is connected to the ignition and turned On.

**Note:** When you make a change in a program it is instantly adjusted within the MSD unit and stays in effect until another change is made to that specific program.

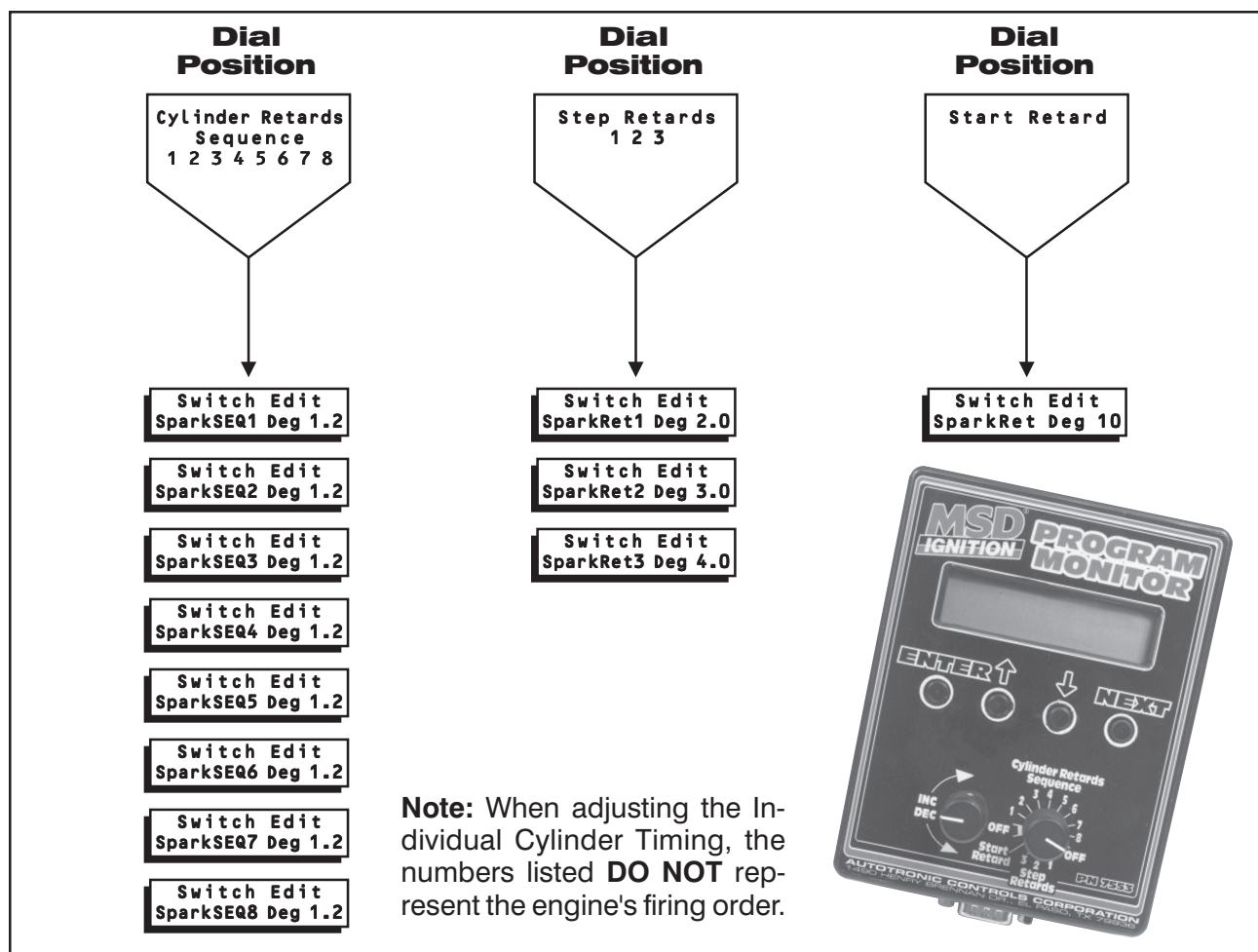


Figure 1 The Adjustments of Monitor, PN 7553.